

## REBLOC RB100\_8\_H4b/W6

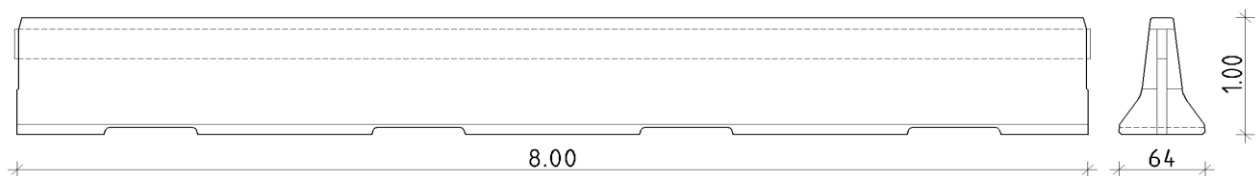
standard element

tested according to EN 1317-2

## DATA SHEET

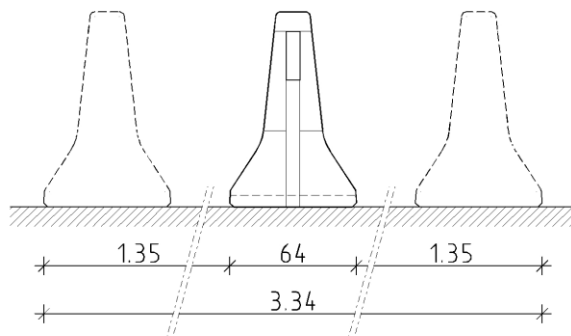
### general

containment level: H4b (H3-N1)  
 level of working width: W6 (W7-W8)  
 (maximum displacement: 135 cm)  
 impact severity level/ASI: B

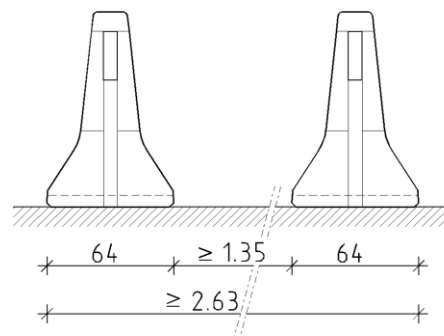


### installation

single row (central reservation, verge)



double row (central reservation)



### technical data

weight/element: 5.950 kg  
 minimum installation length: 104 m (without terminal elements)  
 anchorage: only terminal elements (see data sheet RB100\_4T)  
 curve radius:  $r \geq 108$  m, smaller radius in combination with RB100\_4 and RB100\_2  
 concrete quality: C30/37, freeze-thaw and de-icing resistant  
 (according to national requirements)  
 coupling: fully integrated, hot dip galvanized

### system elements – combinable

standard element RB100\_2  
 standard element RB100\_4  
 standard element RB100\_8\_H2/W5  
 terminal element RB100\_4T (1:5)  
 transition element RB80\_100\_4  
 transition element RB100\_STEEL\_4